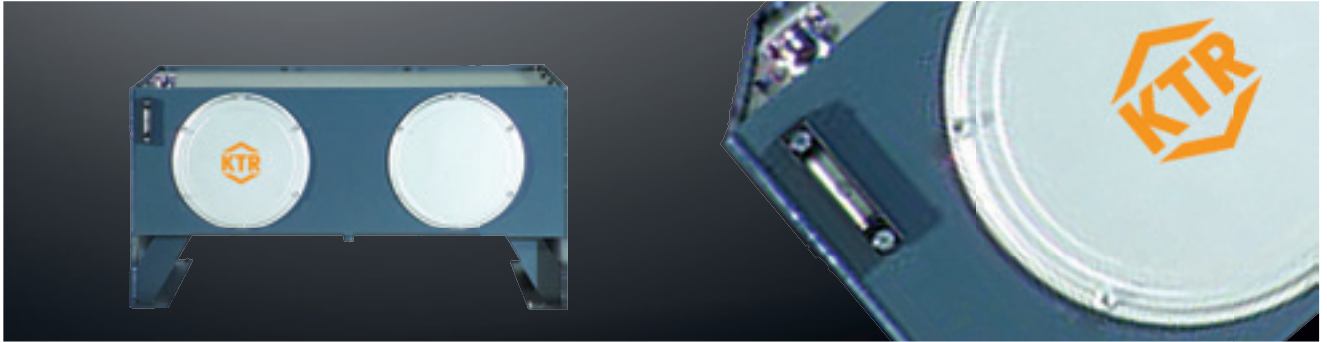
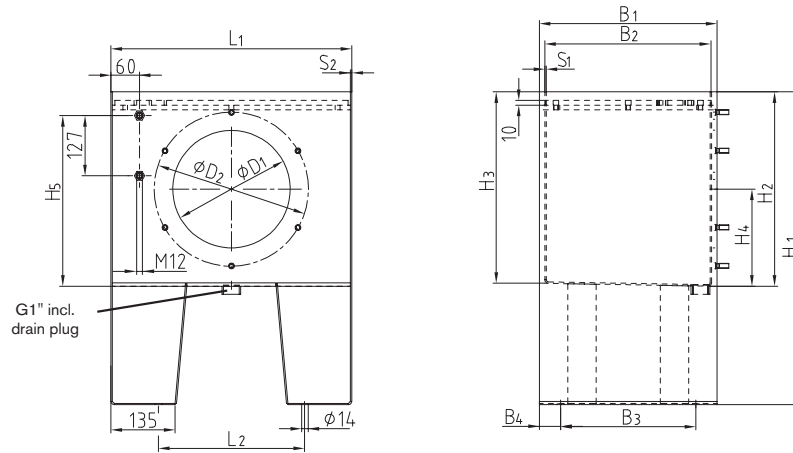


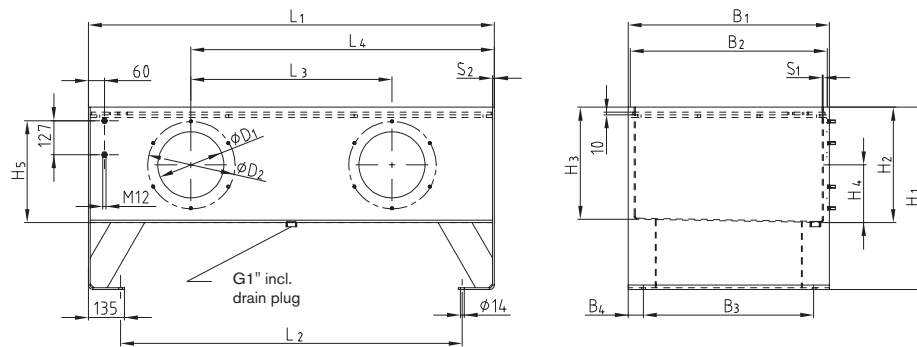
Series BNK type A



up to size 160



from NG 250



Series BNK design A, NG 63-1250

Order description	Effective vol.	Weight	Tank dimensions [mm]																Cleaning cover		Tank completely available from stock			
			NG	Litres	kg	L ₁	L ₂	L ₃	L ₄	B ₁	B ₂	B ₃	B ₄	H ₁	H ₂	H ₃	H ₄	H ₅	D ₁	D ₂	S ₁	S ₂	No.	Type
BNK 63	59	47	508	308	-	-	375	365	285	45	660	410	403	205	360	248	324	3	3	1	V 324-6	●		
BNK 100	92	77	633	393	-	-	474	460	360	57	660	407	399	205	357	248	324	4	4	1	V 324-6	●		
BNK 160	152	112	810	570	-	-	604	590	490	57	660	410	400	205	360	248	324	4	4	1	V 324-6	●		
BNK 250	235	148	1010	770	410	710	704	690	590	57	680	430	418	215	380	248	324	4	4	2	V 324-6	●		
BNK 400	375	245	1514	1274	750	1132	749	735	635	57	680	430	417	215	380	248	324	4	7	2	V 324-6	●		
BNK 630	595	366	1514	1274	750	1132	959	945	845	57	770	520	504	265	470	383	449	4	7	2	V 449-6	●		
BNK 800	752	400	2014	1774	1000	1507	914	900	800	57	770	520	504	265	470	383	449	5	7	2	V 449-6	●		
BNK 1000	945	452	2014	1774	1000	1507	1079	1065	965	57	800	550	531	285	500	383	449	5	7	2	V 449-6			
BNK 1250	1180	600	2014	1774	1000	1507	1349	1335	1235	57	800	550	527	285	500	383	449	5	7	2	V 449-6			

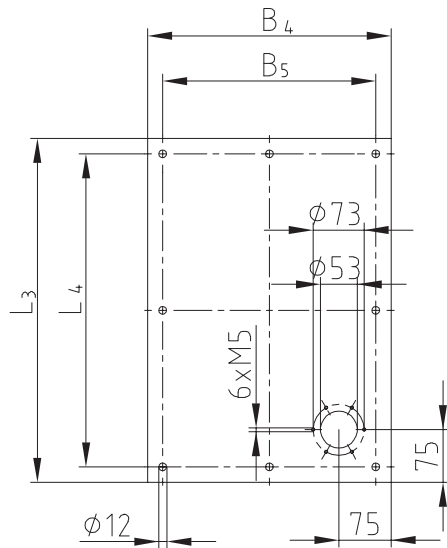
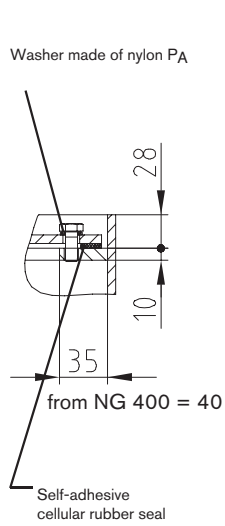
● = Standard programme available from stock and in short term

Ordering example:	BNK	250	A	E
		KTR standard tank	Tank size	Tank design "A"

Tank cover

Cover design E

Design E

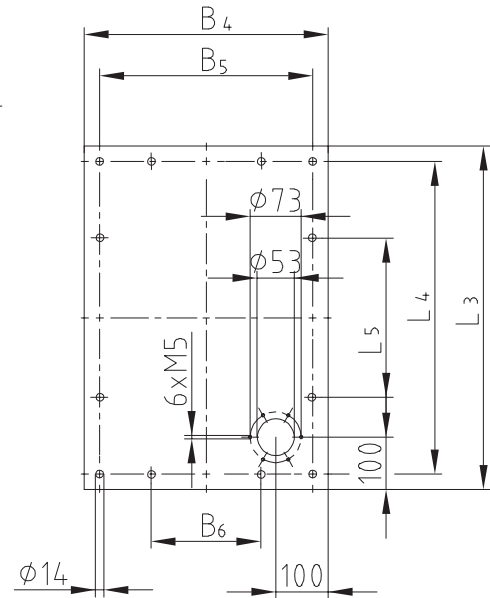


For size 63-250

Design E

For size 400-1250

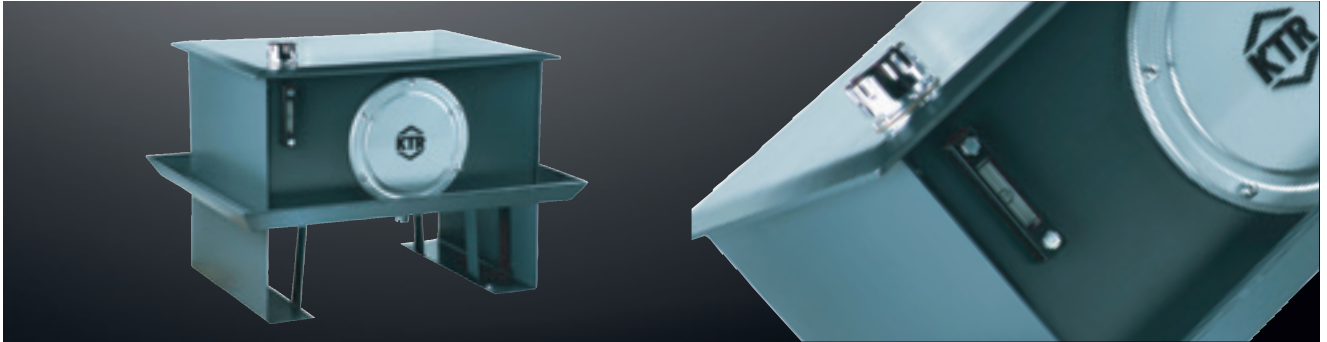
Design E



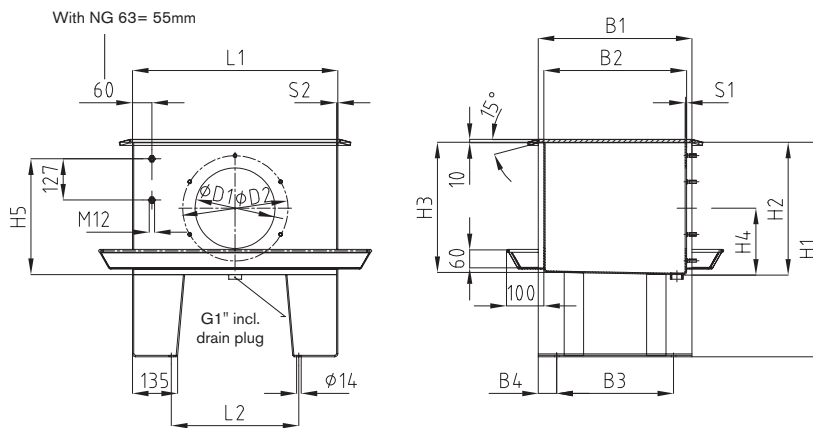
Cover type "E"							
NG	Dimensions [mm]						Number of holes
	L ₃	L ₄	L ₅	B ₄	B ₅	B ₆	
63	492	448	-	349	305	-	8x
100	615	571	-	442	398	-	8x
160	792	748	-	572	528	-	8x
250	992	948	-	672	628	-	8x
400	1490	1440	480	717	667	222	12x
630	1490	1440	480	927	877	292	12x
800	1990	1940	647	880	830	277	12x
1000	1990	1940	647	1045	995	332	12x
1250	1990	1940	647	1315	1265	422	12x

Steel tank type BNK HYDRAULIC COMPONENTS

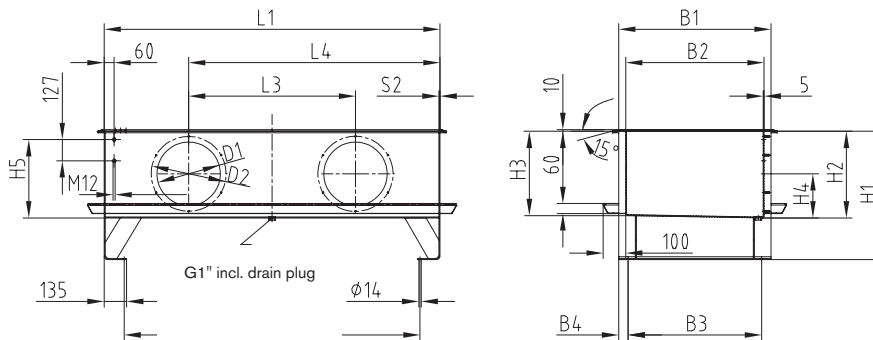
Series BNK type B



up to size 160



from size 250



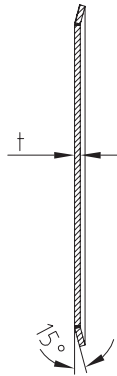
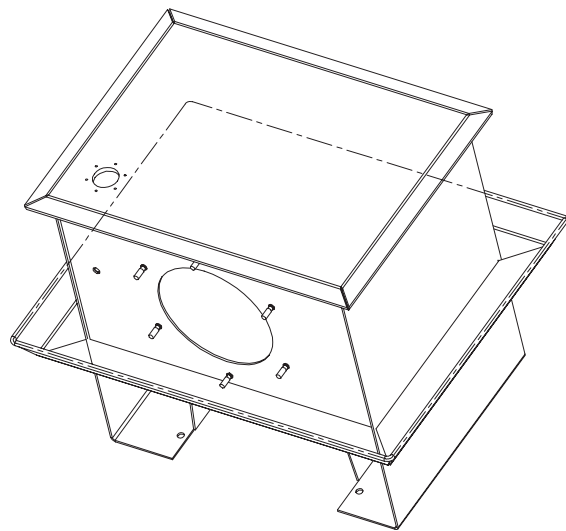
Series BNK design B, NG 63-1250

Order description	Effective vol.	Weight	Dimensions of tanks [mm]																	Cleaning cover		
			NG	Litres	kg	L ₁	L ₂	L ₃	L ₄	B ₁	B ₂	B ₃	B ₄	H ₁	H ₂	H ₃	H ₄	H ₅	D ₁	D ₂	S ₁	
BNK 63	59	56	508	308	-	-	375	365	285	45	660	410	403	205	360	248	324	3	3	1	V 324-6	Delivery time on request
BNK 100	95	88	633	393	-	-	474	460	360	57	660	407	399	205	360	248	324	4	4	1	V 324-6	
BNK 160	152	130	810	570	-	-	604	590	490	57	660	410	400	205	360	248	324	4	4	1	V 324-6	
BNK 250	235	170	1010	770	410	710	704	690	590	57	680	430	418	215	380	248	324	4	4	1	V 324-6	
BNK 400	375	270	1514	1274	750	1132	749	735	635	57	680	430	417	215	380	248	324	4	7	1	V 324-6	
BNK 630	595	375	1514	1274	750	1132	959	945	845	57	770	520	504	265	470	383	449	4	7	2	V 449-6	
BNK 800	752	420	2014	1774	1000	1507	914	900	800	57	770	520	504	265	470	383	449	5	7	2	V 449-6	
BNK 1000	945	490	2014	1774	1000	1507	1079	1065	965	57	800	550	531	285	500	383	449	5	7	2	V 449-6	
BNK 1250	1180	636	2014	1774	1000	1507	1349	1335	1235	57	800	550	527	285	500	383	449	5	7	2	V 449-6	

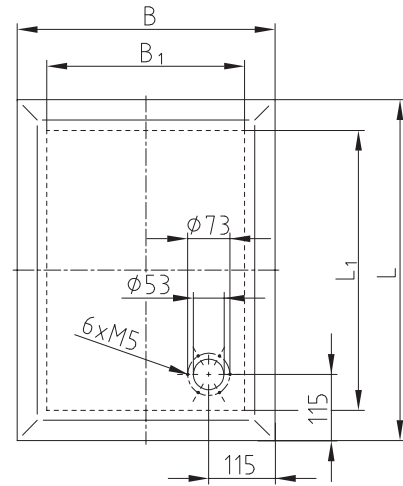
● = Standard programme available from stock and in short term

Ordering example:	BNK	250	B	A
	KTR standard tank	Tank size	Cover design "B"	Cover design "A"

Tank cover



Cover design A



Cover design „A“			
NG	Dimensions [mm]		
	L	B	t
63	588	445	10
100	713	540	10
160	890	670	10
250	1090	770	10
400	1594	815	10
630	1594	1025	10
800	2094	980	10
1000	2094	1145	10
1250	2094	1415	10

Any questions? Please contact us.

Morskate Aandrijvingen BV

Oosterveldsingel 47A
7558 PJ Hengelo (Ov)
The Netherlands

NL

T +31 (0)74 - 760 11 11
info@morskateaandrijvingen.nl
www.morskateaandrijvingen.nl

DE

T +49 692 - 222 34 95
info@morskateantriebstechnik.de
www.morskateantriebstechnik.de

EN

T +31 (0)74 - 760 11 11
info@morskatedrivetechnology.com
www.morskatedrivetechnology.com